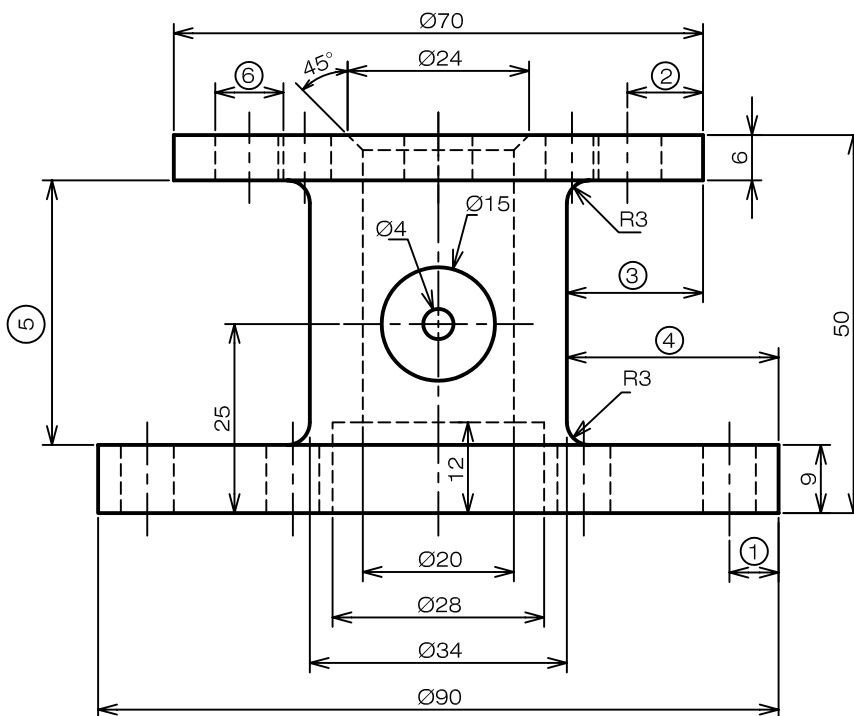
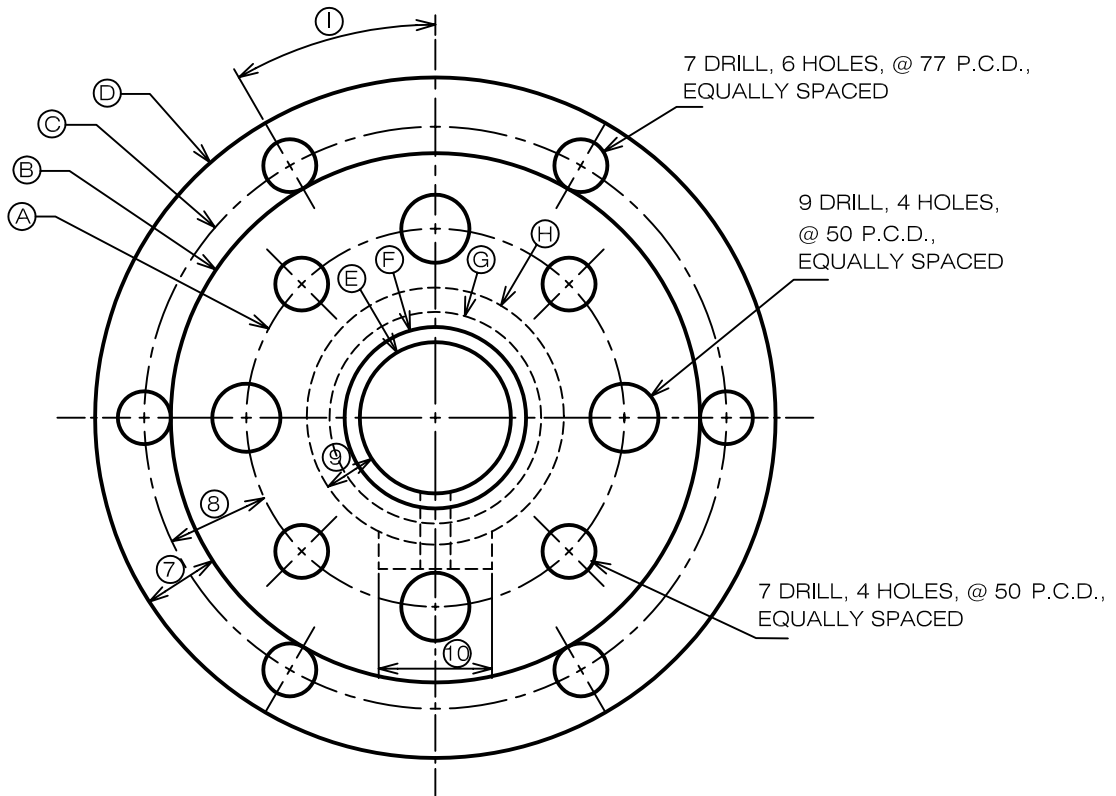
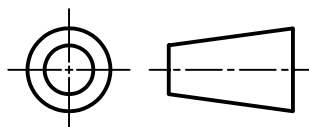


The following figure is a multiview orthographic drawing of a part called "COUPLING". Answer the questions on the next page.

(Problem is adapted from "Interpreting engineering drawings" By Jensen et al.)



MATERIAL	SS 400		
SCALE	1 : 1		
DRAWN	JKA	DATE	12/5/2548



COUPLING

QUESTIONS

1. What is the overall width ?
2. What is the overall depth ?
3. What is the overall height ?
4. Calculate distances (A) through (H) .
5. Calculate distances (1) through (10) .
6. How many holes are in the bottom surface ?
7. How many holes are in the top surface ?
8. How thick is the largest flange ?
9. What is the angle (I) ?
10. What is the size of bolts would be used for the $\varnothing 7$ holes located on the top flange ? Allow for 1 mm clearance.

ANSWERS

- | | | |
|------------|------------|-----------|
| 1. _____ | 5. 1 _____ | 6. _____ |
| 2. _____ | 2 _____ | 7. _____ |
| 3. _____ | 3 _____ | 8. _____ |
| 4. A _____ | 4 _____ | 9. _____ |
| B _____ | 5 _____ | 10. _____ |
| C _____ | 6 _____ | |
| D _____ | 7 _____ | |
| E _____ | 8 _____ | |
| F _____ | 9 _____ | |
| G _____ | 10 _____ | |
| H _____ | | |